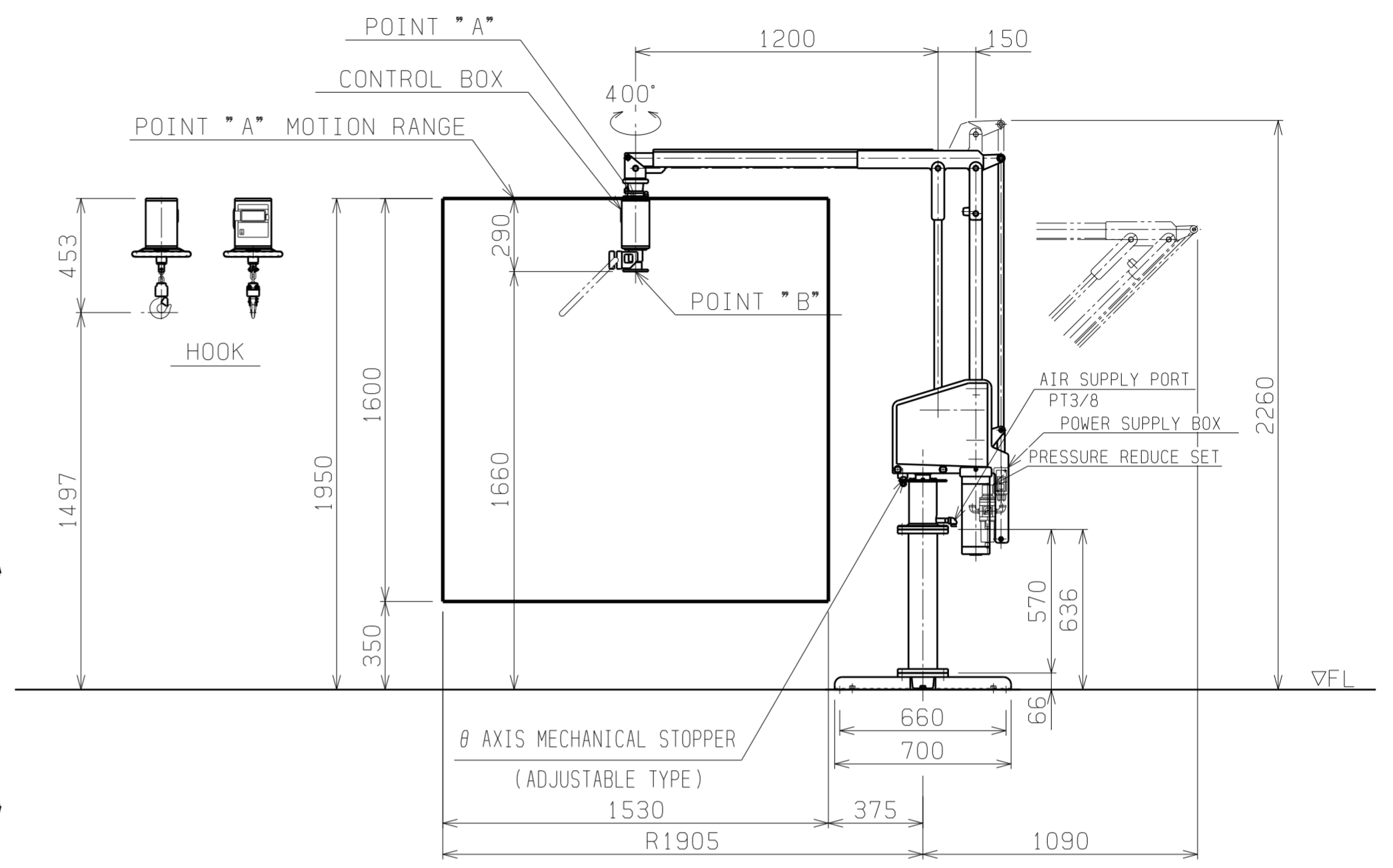
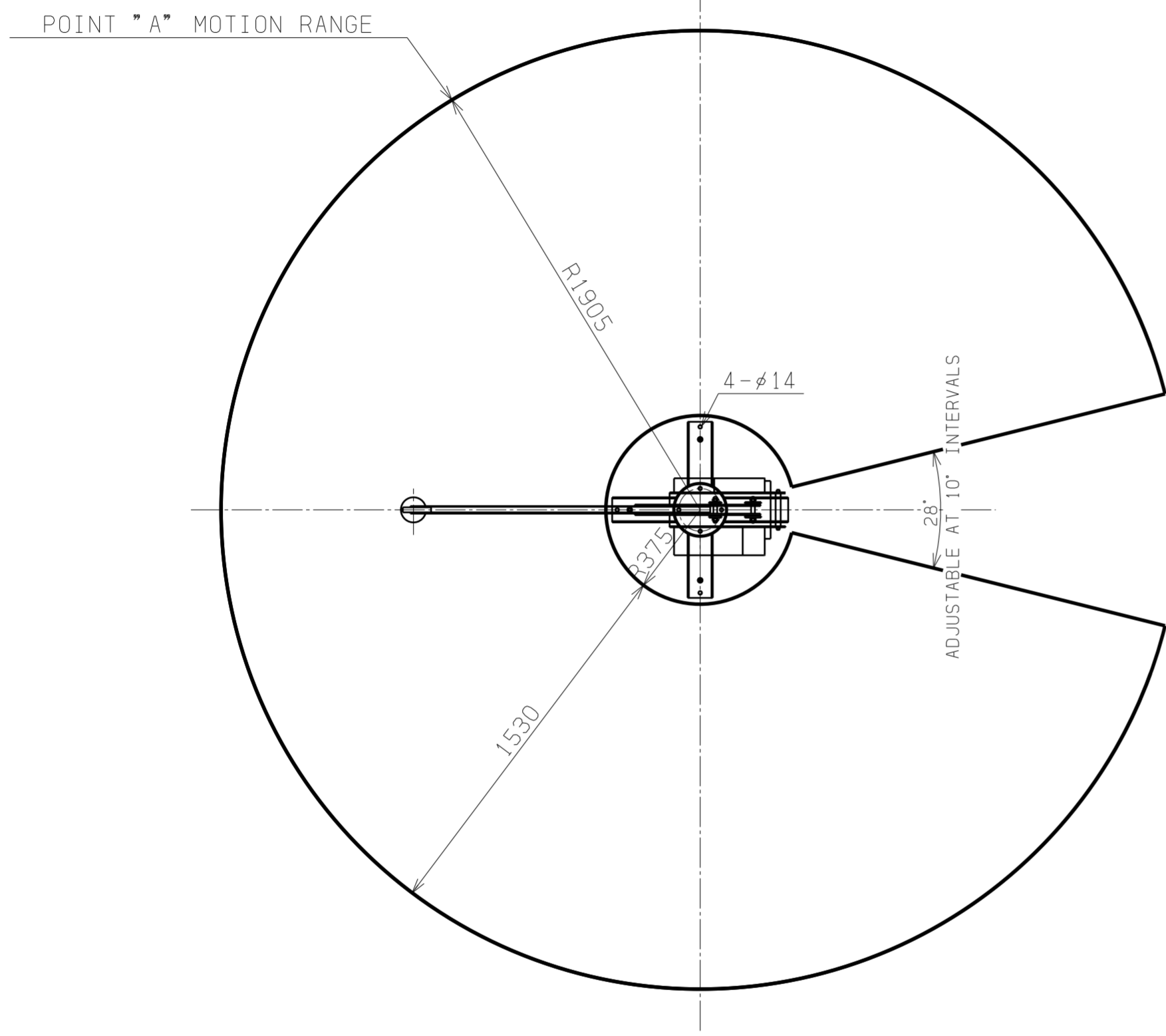


A | B | C | D | E | F | G | H | I | J | K

1  
2  
3  
4  
5  
6  
7  
8



| BALAMAN SPECIFICATIONS |   |
|------------------------|---|
| MODEL                  | U2BMG-30W<br>θ AXIS MECHANICAL STOPPER<br>(ADJUSTABLE TYPE) |
| MAX. LOAD              | 30kg (BELOW POINT "A")<br>22kg (BELOW POINT "B")            |
| MAX. RADIUS            | R1950 mm  |
| HORIZONTAL STROKE      | 1530 mm   |
| VERTICAL STROKE        | 1600 mm   |
| MAX. WORKING HEIGHT    | 1950 mm   |
| MAX. MACHINE HEIGHT    | 2260 mm   |
| AIR SUPPLY             | 0.54 MPaG   |
| AIR CONSUMPTION        | 48NL/min<br>(10 SEC CYCLE)                                  |
| POWER SUPPLY           | SINGLE-PHASE AC85-AC264V<br>50/60Hz 0.1KVA                  |
| CONTROL METHOD         |   |
| COATING                | LN-15(JPMA BLACK)<br>LN-93(JPMA WHITE)                      |
| MAIN UNIT MASS         | APPROX. 100kg   |
| BASE UNIT MASS         | APPROX. 28kg  |
| CONTROL BOX MASS       | 8kg   |
| WORKPIECE MASS         | kg  |
| REMARKS                | ACCESSORIES: PRESSURE REDUCE SET<br>: POWER SUPPLY BOX      |