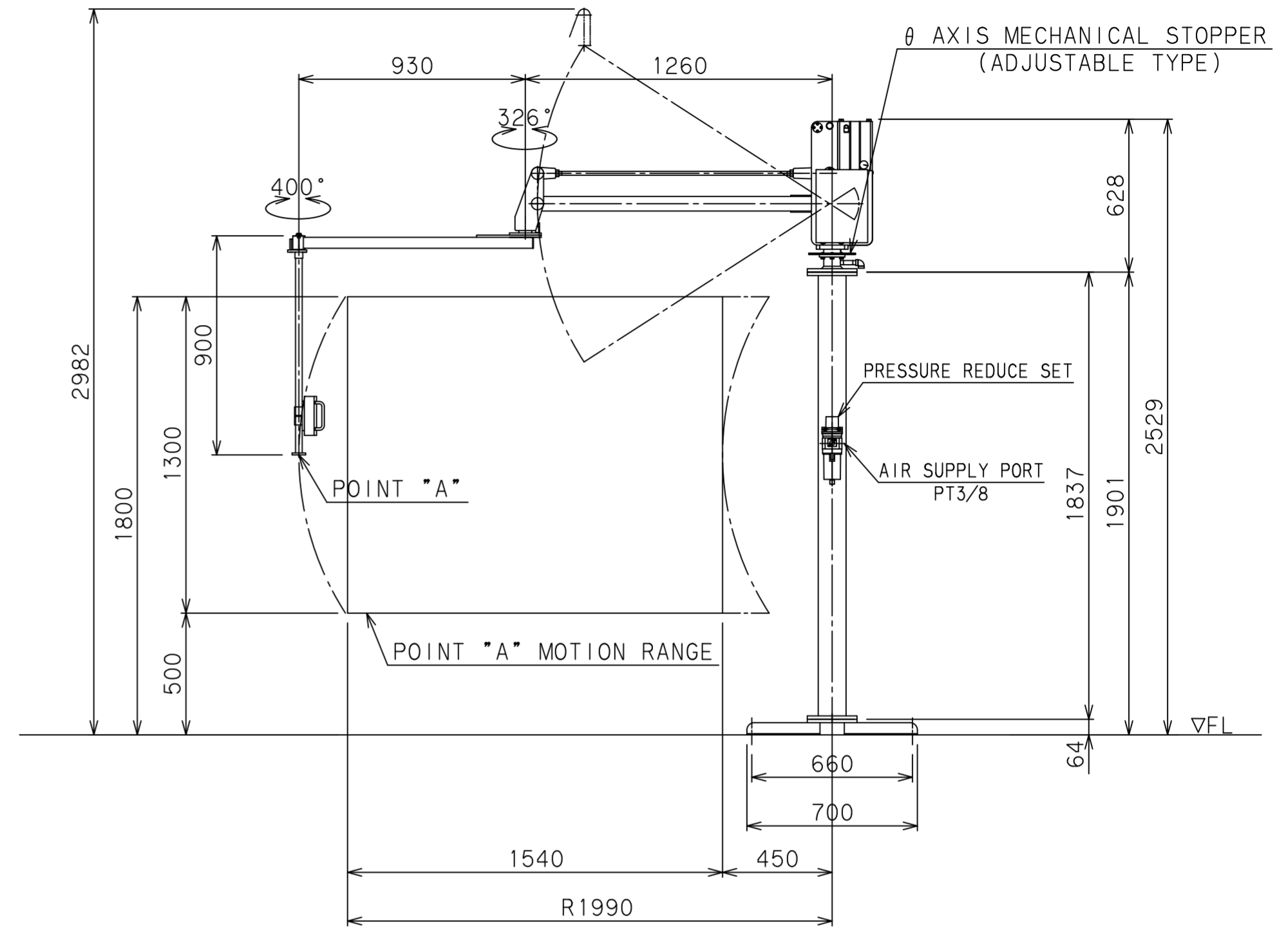
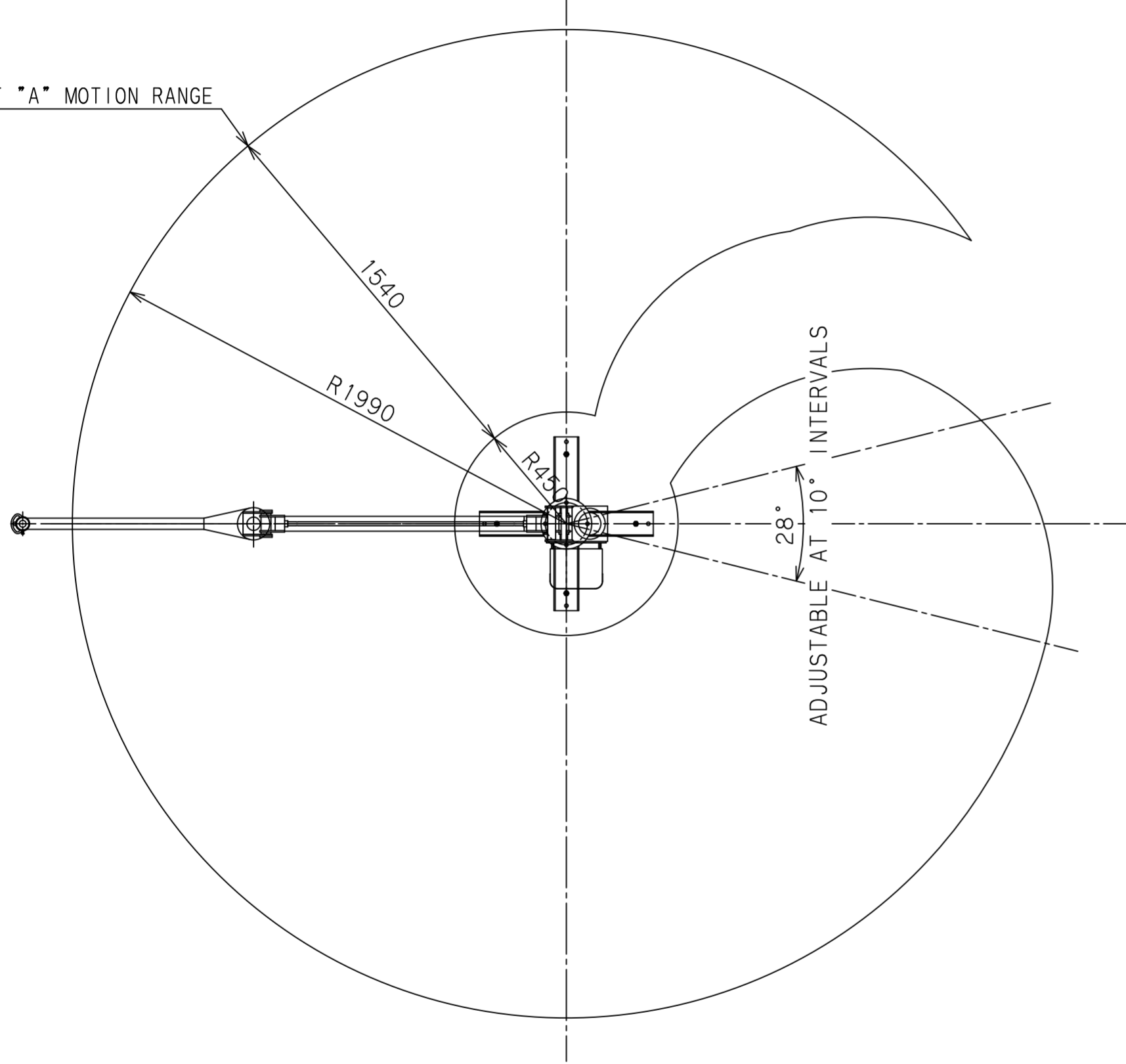


A | B | C | D | E | F | G | H | I | J | K

1
2
3
4
5
6
7
8

POINT "A" MOTION RANGE



BALAMAN SPECIFICATIONS	
MODEL	BMS-30 θ AXIS MECHANICAL STOPPER (ADJUSTABLE TYPE)
MAX. LOAD	30kg (INCLUDING ATTACHMENT)
MAX. RADIUS	R1990 mm
HORIZONTAL STROKE	1540 mm
VERTICAL STROKE	1300 mm
MAX. WORKING HEIGHT	1800 mm
MAX. MACHINE HEIGHT	2982 mm
CONTROL METHOD	
AIR SUPPLY	0.54 MPa
AIR CONSUMPTION	53NL/min (10 SEC CYCLE)
COATING	MAIN BODY & BASE 5.5PB4.7/9.4 (MUNSELL NO.) END-EFFECTOR 10R5.5/14.5 (MUNSELL No.)
MAIN UNIT MASS	APPROX. 80kg
BASE UNIT MASS	APPROX. 100kg
REMARKS	ACCESSORIES: PRESSURE REDUCE SET