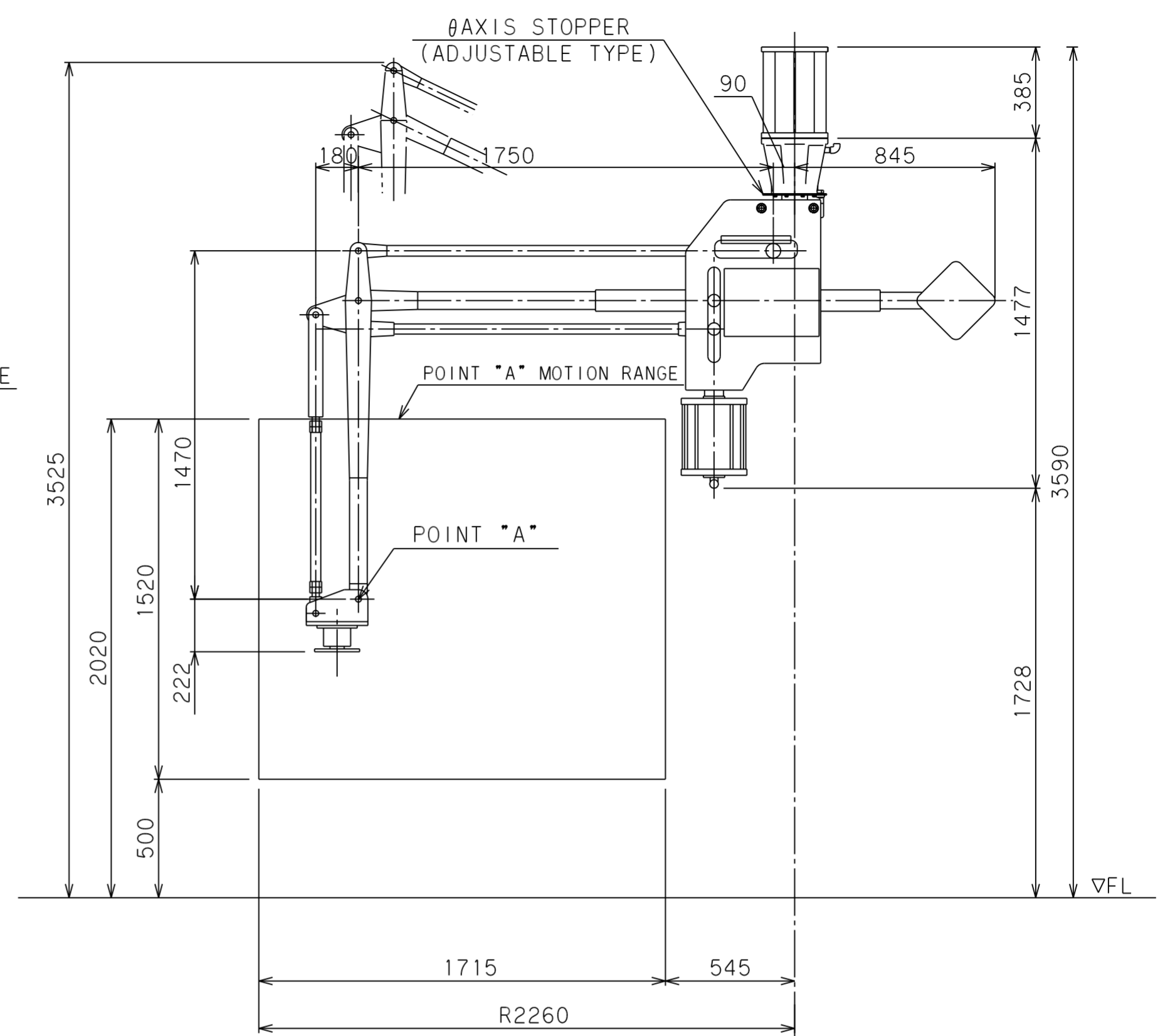
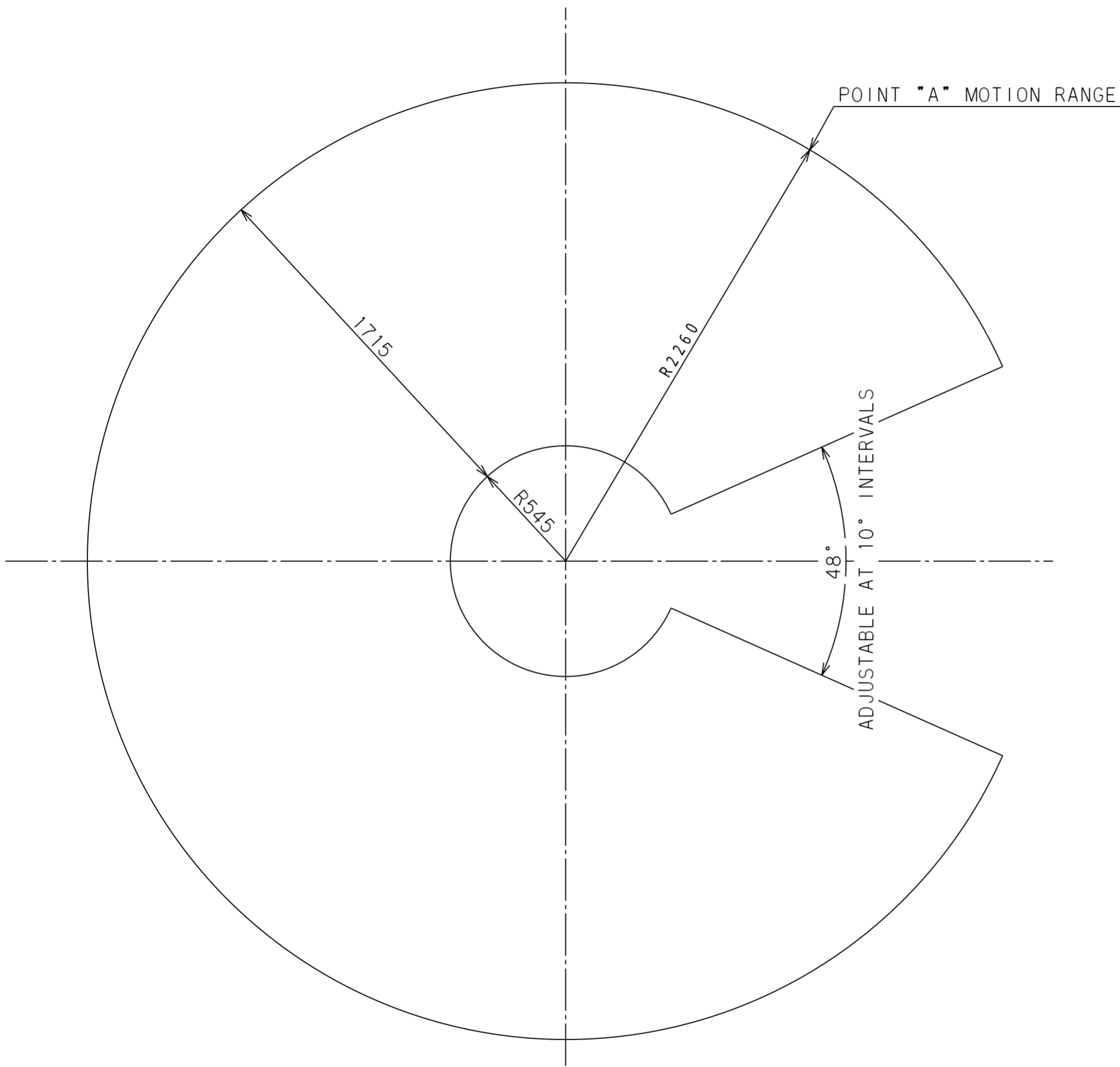


A | B | C | D | E | F | G | H | I | J | K

1
2
3
4
5
6
7
8



BALAMAN SPECIFICATIONS	
MODEL	BMC-250W θAXIS STOPPER (ADJUSTABLE TYPE)
MAX. LOAD	236kg
MAX. RADIUS	R2260 mm
HORIZONTAL STROKE	1715 mm
VERTICAL STROKE	1520 mm
MAX. WORKING HEIGHT	2020 mm
MAX. MACHINE HEIGHT	3525 mm
CONTROL METHOD	
AIR SUPPLY	0.49 MPa
AIR CONSUMPTION	216NL/min (15 SEC CYCLE)
COATING	MAIN BODY & BASE 5.5PB4.7/9.4 (MUNSELL NO.) END-EFFECTOR 10R5.5/14.5 (MUNSELL No.)
MAIN UNIT MASS	APPROX. 404kg
BASE UNIT MASS	APPROX. 25kg
REMARKS	ACCESSORIES: PRESSURE REDUCE SET