

POINT "A" MOTION RANGE

R2240

1715

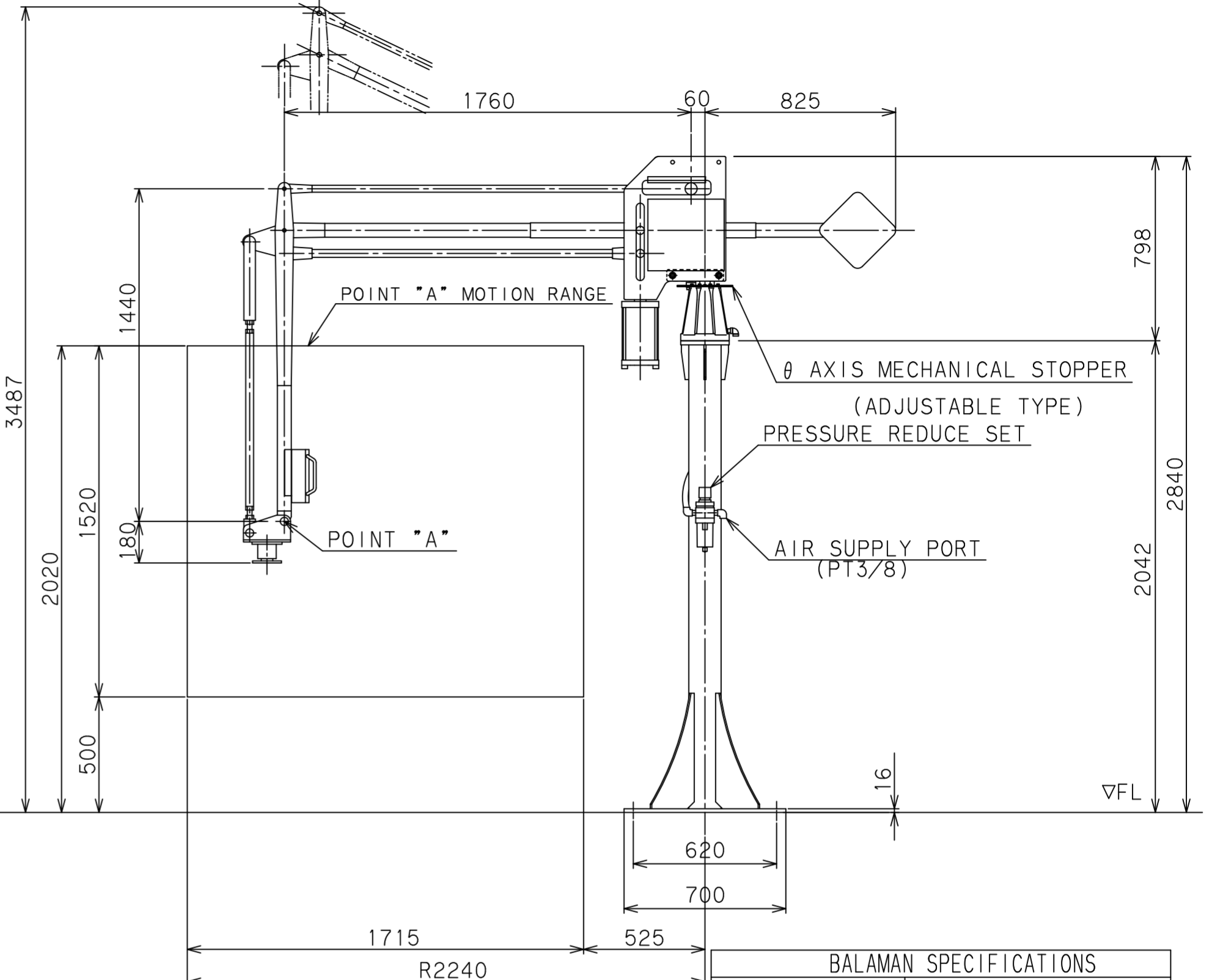
ADJUSTABLE AT 34° INTERVALS

POINT "A" MOTION RANGE

POINT "A"

θ AXIS MECHANICAL STOPPER  
(ADJUSTABLE TYPE)  
PRESSURE REDUCE SET

AIR SUPPLY PORT  
(PT3/8)



BALAMAN SPECIFICATIONS

MODEL	BMF-75S θ AXIS MECHANICAL STOPPER (ADJUSTABLE TYPE)
MAX. LOAD	72kg
MAX. RADIUS	R2240 mm
HORIZONTAL STROKE	1715 mm
VERTICAL STROKE	1520 mm
MAX. WORKING HEIGHT	2020 mm
MAX. MACHINE HEIGHT	3487 mm
CONTROL METHOD	
AIR SUPPLY	0.49 MPa
AIR CONSUMPTION	102NL/min (10 SEC CYCLE)
COATING	MAIN BODY & BASE 5.5PB4.7/9.4 (MUNSELL NO.) END-EFFECTOR 10R5.5/14.5 (MUNSELL No.)
MAIN UNIT MASS	Approx. 200kg
BASE MASS	Approx. 120kg
REMARKS	PRESSURE REDUCE SET