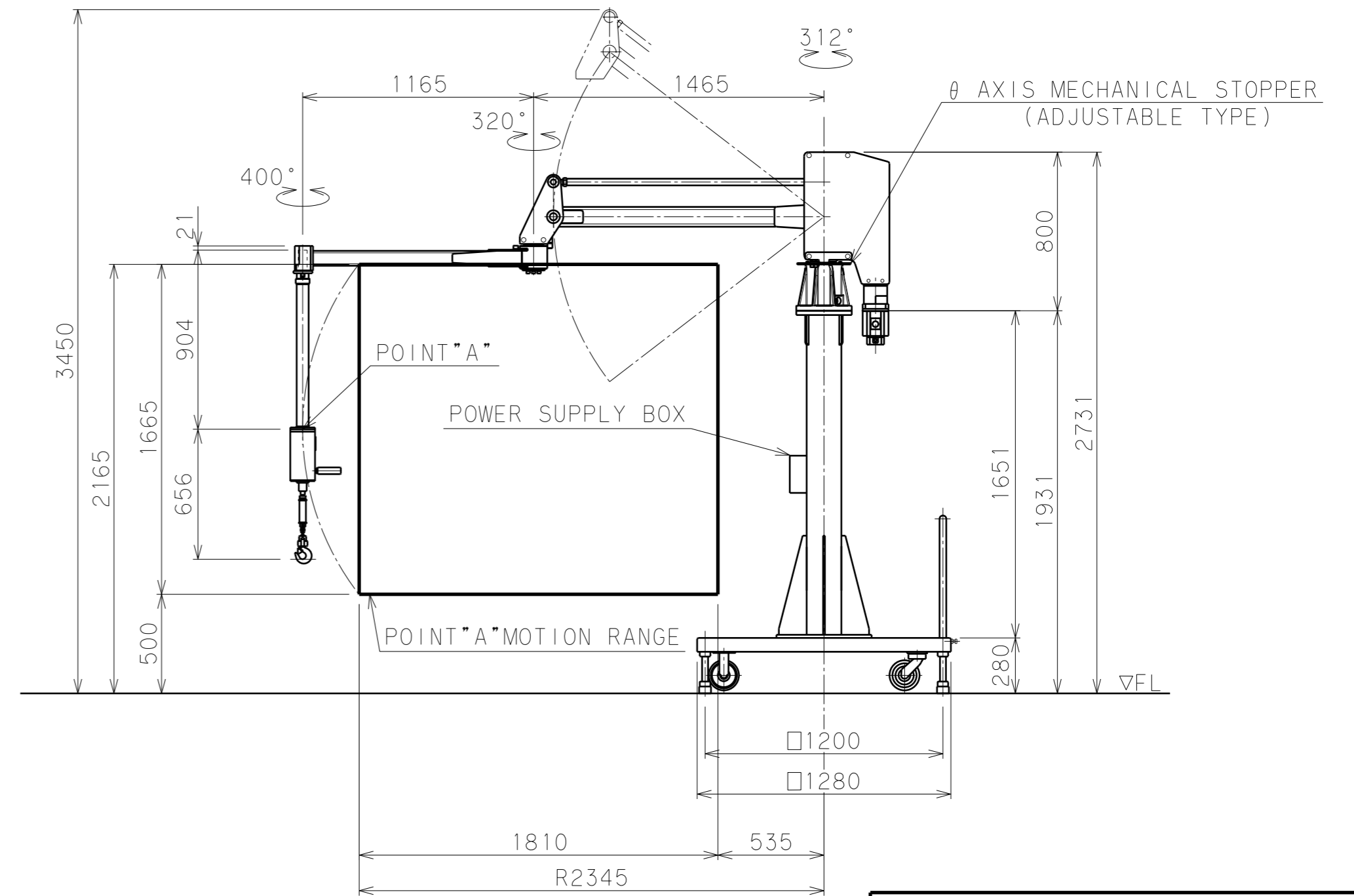
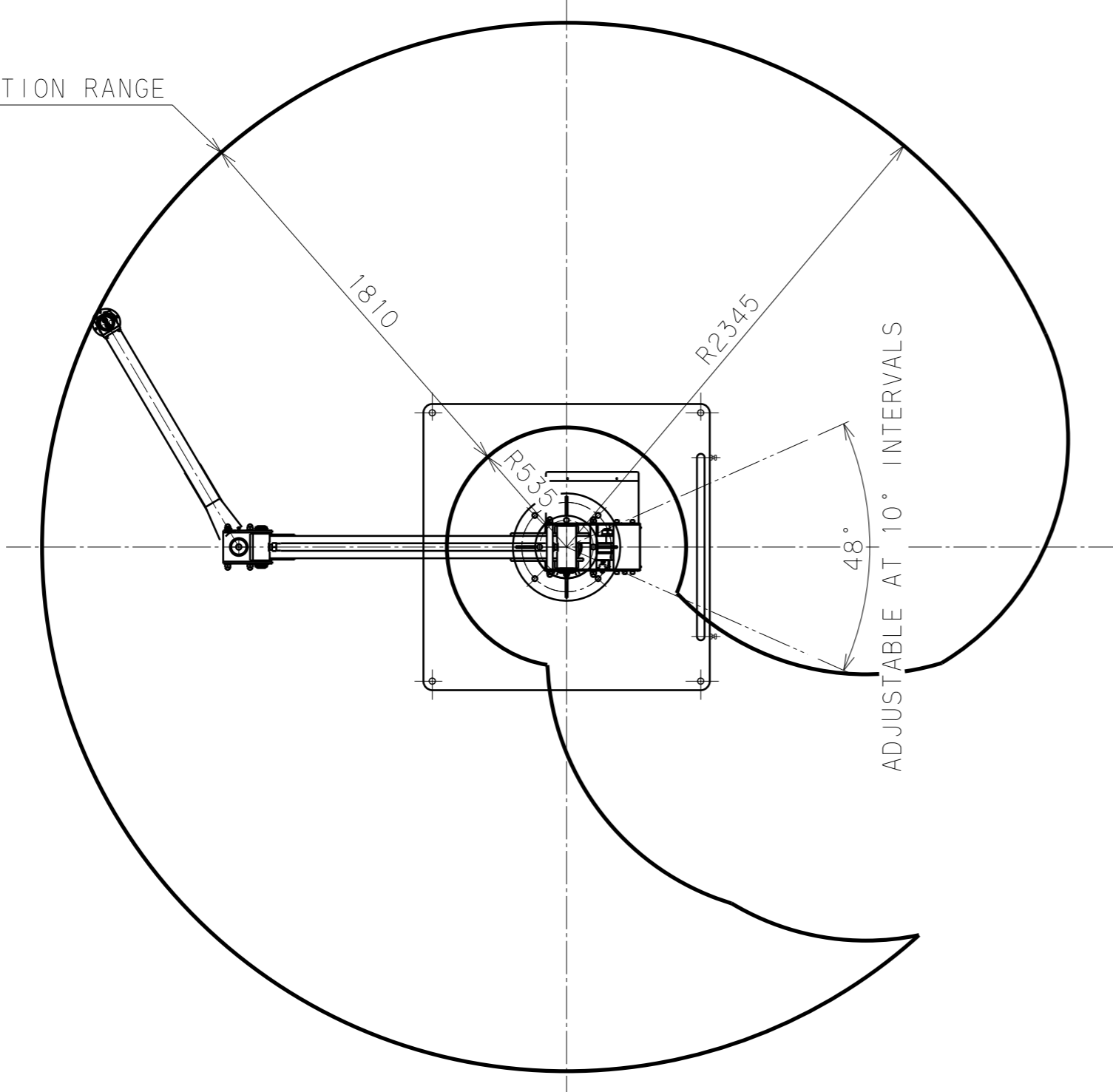


A | B | C | D | E | F | G | H | I | J | K

1  
2  
3  
4  
5  
6  
7  
8

POINT "A" MOTION RANGE



BALAMAN SPECIFICATIONS	
M O D E L	BMi2S-150 θ AXIS MECHANICAL STOPPER (ADJUSTABLE TYPE)
M A X . L O A D	150kg
M A X . R A D I U S	R2345 mm
H O R I Z O N T A L S T R O K E	1810 mm
V E R T I C A L S T R O K E	1665 mm
M A X . W O R K I N G H E I G H T	2165 mm
M A X . M A C H I N E H E I G H T	3450 mm
L I F T I N G S P E E D	400 mm/s
P O W E R S U P P L Y	Three-Phase AC200/220V±10% 50/60Hz 3.0kVA
C O N T R O L S Y S T E M	CRANE AND BALANCE
C O A T I N G	MAIN BODY & BASE F-58 (BLUE) G-63 (SILVER) END-EFFECTOR 10R5.5/14.5 (MUNSELL No.)
M A I N U N I T M A S S	APPROX. 240kg
B A S E U N I T M A S S	APPROX. 1065kg
REMARKS ACCESSORIES: POWER SUPPLY BOX	